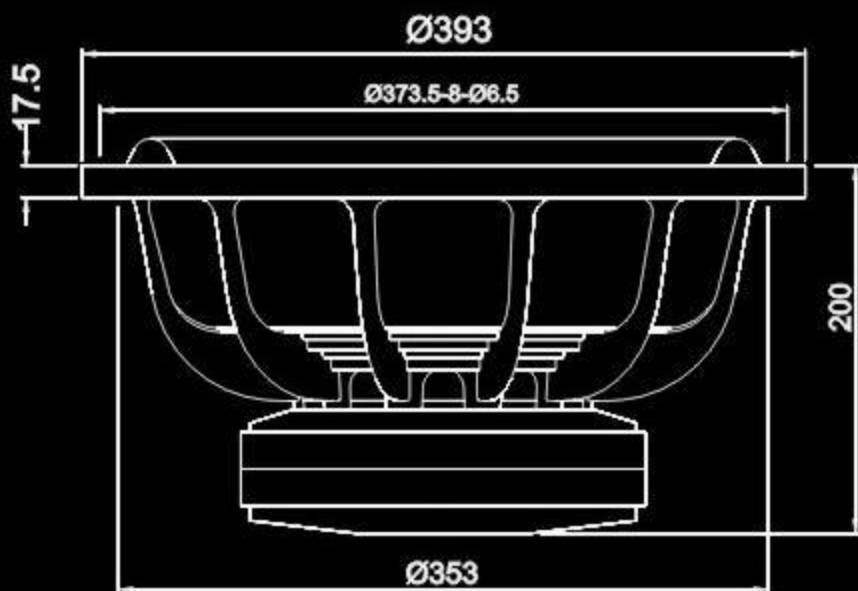


Dual 2 Ohm Subwoofer



HS 15"	
Sensitivity:	93 dB
Powerhandling:	1500 Wrms
X-Max:	33mm
Vas:	98.4 L
Fs:	31.3 Hz
Qts:	0.40
Nominal impedance:	2 x 2 ohm

Better Bass